

GROVE

PUMPENKOMBINATION VORMONTAGE
COMBINATION OF PUMPS PRE-ASSEMBLY

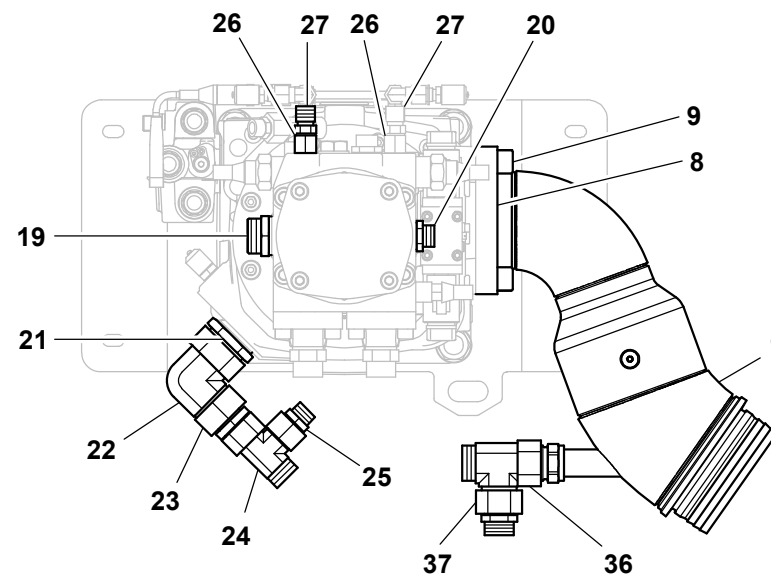
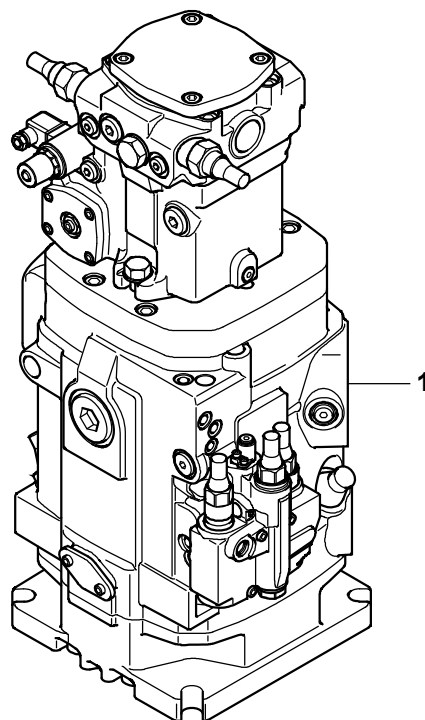
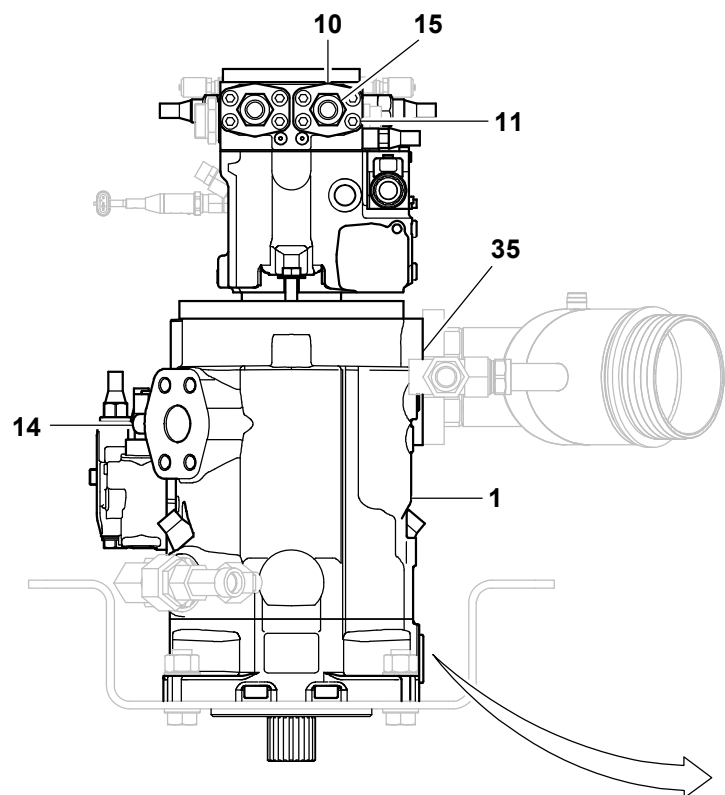
BILDTAFEL
PICTORIAL DISPLAY

05.16

3219719-ETL G

1/2

GMK 5250
BE 600
G 786



GROVE

PUMPENKOMBINATION VORMONTAGE
COMBINATION OF PUMPS PRE-ASSEMBLY

BILDТАFЕL
PICTORIAL DISPLAY

05.16

3219719-ETL G

2/2

GMK 5250
BE 600
G 786

